

SMART SCHOOL MANAGEMENT SYSTEM

by

SUCHITAV KHADANGA

IEEE SMARTTECH 2015 Bangalore

Sept 25th 2015





SMART WIRELESS PRODUCT CAMERA + RFID + GARUDSMS

CLOUD COMPUTING

BIG DATA



GATE-1
RFID READER +
WIRELESS CAMERA



GATE-2
RFID READER +
WIRELESS CAMERA



SCHOOL
PRINCIPAL'S
OFFICE



GATE-4
RFID READER +
WIRELESS CAMERA



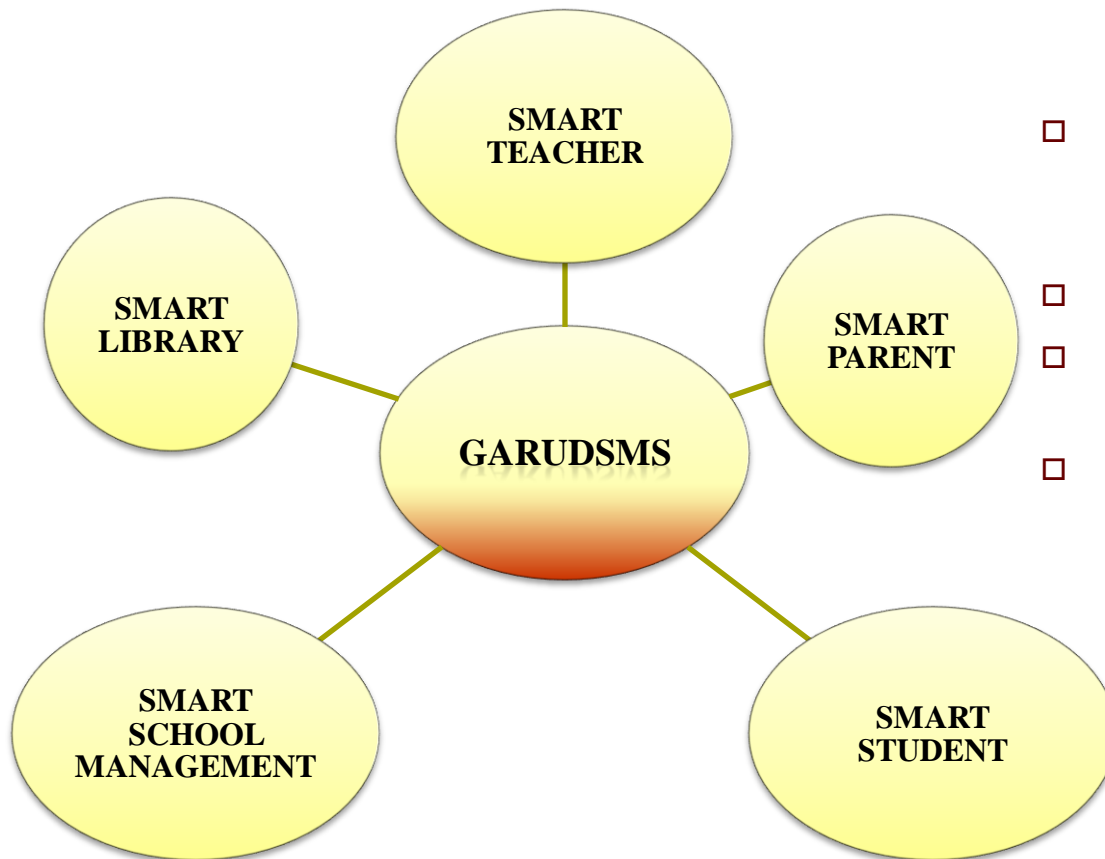
GATE-3
RFID READER +
WIRELESS CAMERA



USERS
OUTSIDE
SCHOOL



GARUDSMS-MAKE EVERYBODY SMART FAST AND EFFICIENT



- ❑ PARENTS WILL GET EMAIL/SMS ON ENTRY/EXIT OF STUDENT
- ❑ STUDENTS WILL USE ALL FACILITIES THROUGH THIS SMART CARD
- ❑ AUTOMATIC ATTENADNCE
- ❑ AUTOMATIC BOOK TRANSACTION
- ❑ INFORM PARENTS ABOUT PAYMENT, ASSIGNMENT, MEETINGS

RFID SCHOOL MANAGEMENT SYSTEM

School Management System

GARUD INTERNATIONAL SCHOOL

Main | Students | Employees | Attendance | Messaging | Payment | Examination | Admin | Transport | Assets | Library | Support | Help | About

Name	Entry	Exit

Date: 3-6-2015

Name: _____

Entry Time: _____

Exit Time: _____

Timesheet Editor

Identification No. Date: 6/3/2015

Entry: 6/3/2015 8:27:29 PM

Exit: 6/3/2015 8:27:29 PM

Message (for admins)



WWW.GARUDSMS.COM

WEB BASED SOFTWARE

localhost/SchoolManagementSystem/

School Management System

Hello, admin!

[Home](#) [Student](#) [Employee](#) [Attendance](#) [Settings](#)

Select Language ▼

Home Page. OF SCHOOL MANAGEMENT SYSTEM

The best embedded product for school management system. We had taken all the steps for zero error. Best wishes from the team. Contact us for any problem through support ticket, or drop a mail to admin@rficdesign.com for anything you wish.

SECTIONS:

- 1 STUDENTS
- 2 EMPLOYEE
- 3 ATTENDANCE
- 3 SETTINGS

ADVANTAGES

- ❑ STUDENT SECURITY
- ❑ MORE THAN 30000 STUDENTS ARE USING SINCE JAN 2014
- ❑ AUTOMATICALLY INFORM PARENTS ON ENTRY/EXIT OF STUDENTS
- ❑ AUTOMATIC PAYMENT AND ACCOUNT
- ❑ USES EMAIL/SMS SERVICE TO COMMUNICATE TO STUDENTS/PARENTS
- ❑ WIRELESS CAMERAS NEED NO COMPLEX WIRING
- ❑ NO EXTRA RECORDER FOR CCTV RECORDING
- ❑ LOW COST

RFIC TECHNOLOGIES-OUR BUSINESS

INDIAN COMPANY IN BANGALORE

LOW COST HIGH PERFORMANCE WIRELESS PRODUCT
COMPANY

- WIRELESS SYSTEM
 - SCHOOL MANAGEMENT SYSTEM
 - SOFTWARE+HARDWARE
 - WWW.GARUDSMS.COM

- WIRELESS IC
 - RFIC CHIP : RF FRONT END CHIP
 - DESIGN SERVICE FOR WIRELESS IC

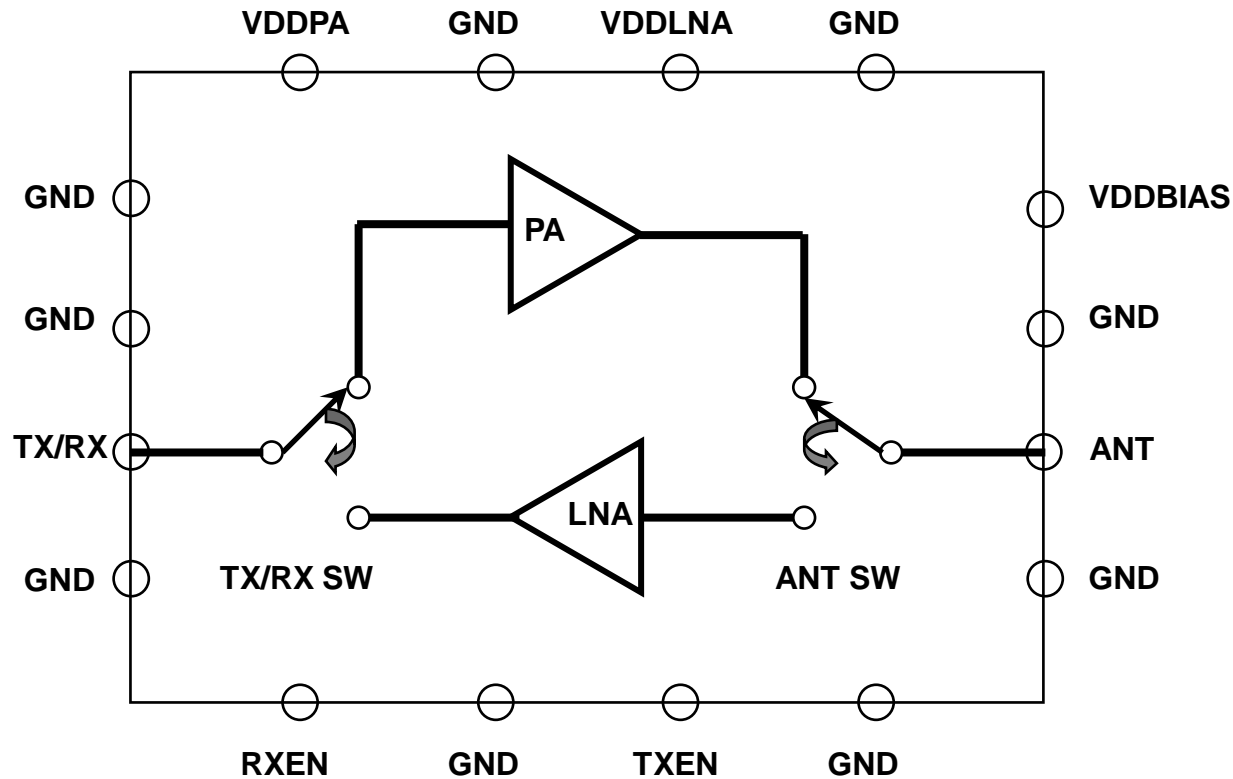
RFIC FRONT END CHIP

- RFF-1001:ZIGBEE FRONT END
 - ZIGBEE 2.4GHZ OPERATION
 - LNA SWITCH PA IN ONE CHIP
 - TOWER 180nm CMOS RF PROCESS

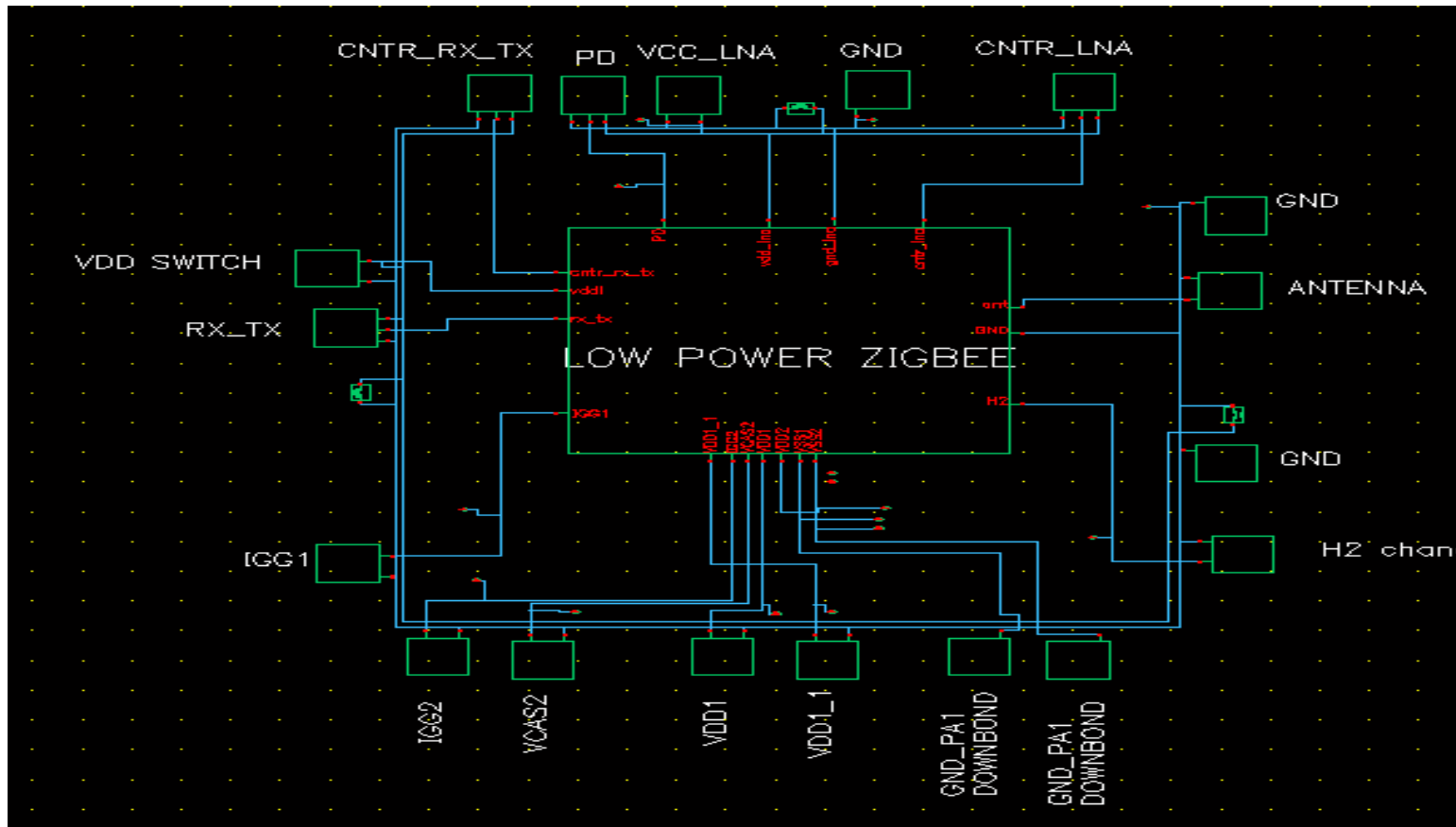
- RFS-1003 :SWITCH MATRIX
 - FREQUENCY 400 MHZ TO 4000 MHZ
 - LTE SMARTPHONE USE
 - INSERTION LOSS 0.7 dB OVER THE RANGE

- MORE RFICS-VCO, TX, RX BLOCKS
 - visit <http://www.rficdesign.com>

RF FRONT END CHIP



RFF-1001: RF FRONT END ZIGBEE-PA, LNA AND SWITCH



RFF-1001: RESULTS

- PA
 - GAIN: 25dB
 - POUT : 20dBm @130mA
- LNA
 - GAIN : 15DB @6mA CURRENT
 - NOISE FIGURE : 1.5 dB
- SWITCH
 - INSERTION LOSS : 0.6dB
 - POWER HANDLING : 30dBm

RESEARCH OPPORTUNITY-MAKE IN INDIA

- WE BELIEVE EDUCATION AND RESEARCH IS BASIC FOR MAKE IN INDIA
- CONTRIBUTING FOR RESEARCH FREE
 - VLSI , WIRELESS
- Helping you for achieving the goal faster and it is free of cost.
- Free design tool to use for your research. You can login from your college and use the software.
- guidance from us and 1 hour per week for the discussion.
- Interested ? send your bio data to suchitav@rficdesign.com for the discussion.
 - <http://www.rficdesign.com/research-opportunity.htm>

RFID LIBRARY MANAGEMENT



REFERENCE

- WWW.RFICDESIGN.COM
- WWW.GARUDSMS.COM
- SUCHITAV@RFICDESIGN.COM
 - DROP ME A MAIL, I WILL BE HAPPY TO ANSWER YOUR QUESTIONS

THANKS A LOT
